

# **AW-XH327-PUR**

## **IEEE 802.11 a/b/g/n/ac/ax Wi-Fi + Bluetooth 5.2 Combo SIP Module**

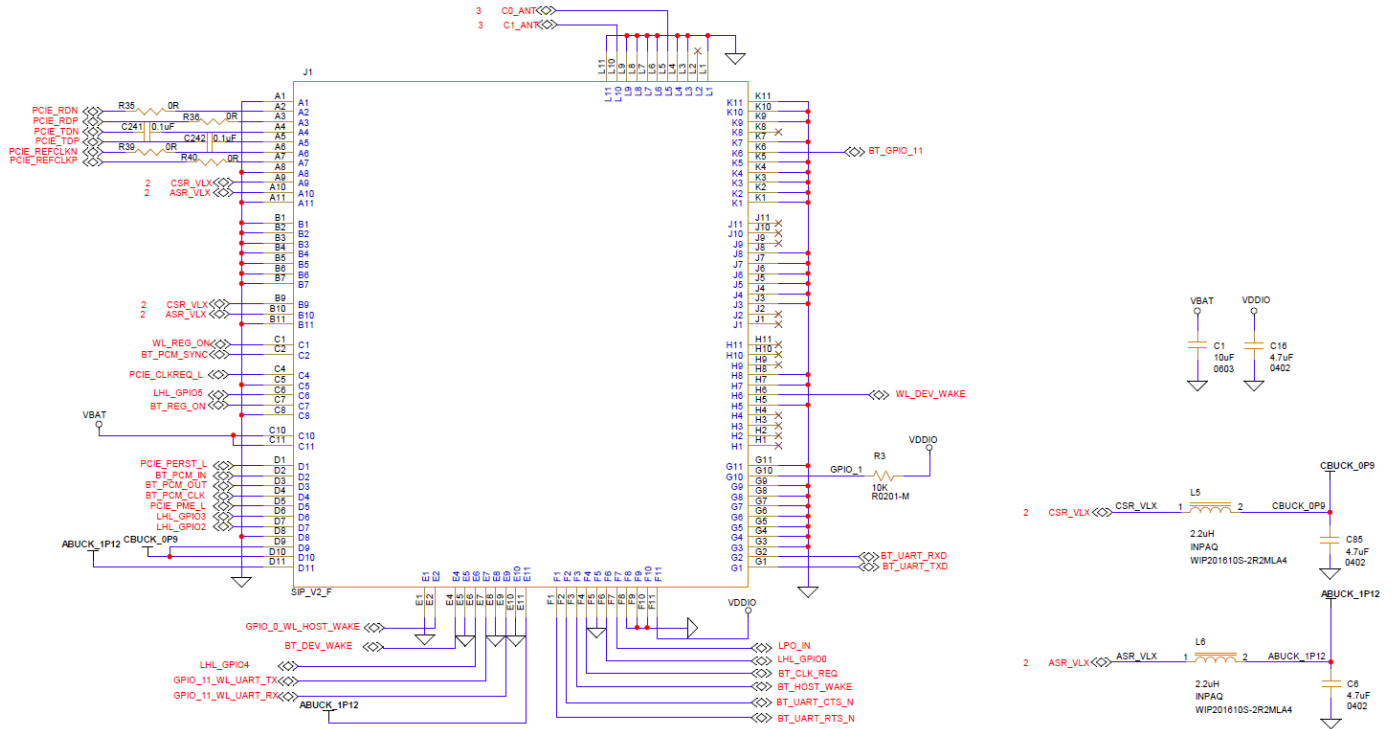
### **Reference Design Guide**

**Rev. 01**

(For Standard)

#### **Revision History**

<b>Version</b>	<b>Revision Date</b>	<b>Description</b>	<b>Initials</b>	<b>Approved</b>
<b>01</b>	<b>2023/05/19</b>	● <b>Initial Version</b>	<b>Barry Tsai</b>	<b>N.C. Chen</b>



BT\_REG\_ON must be connected to an external GPIO control pin.

